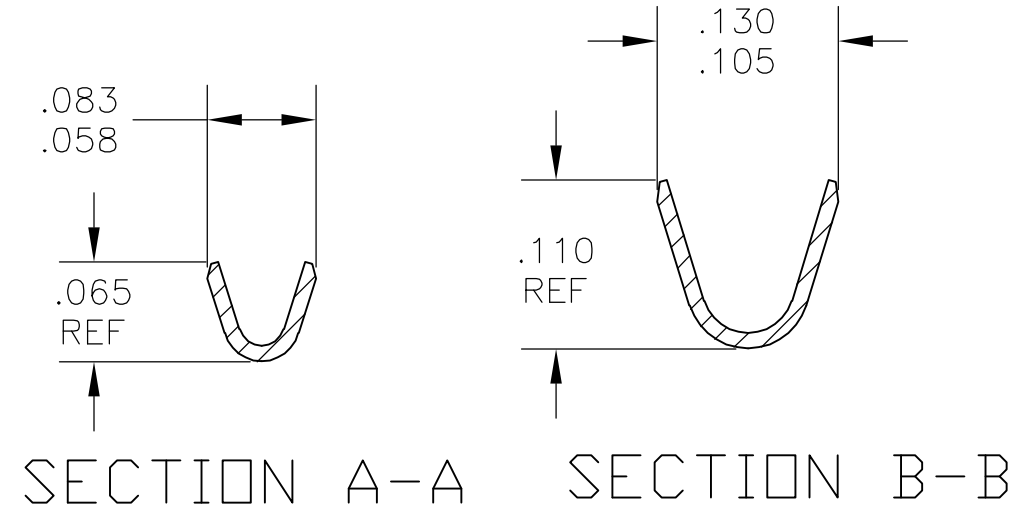
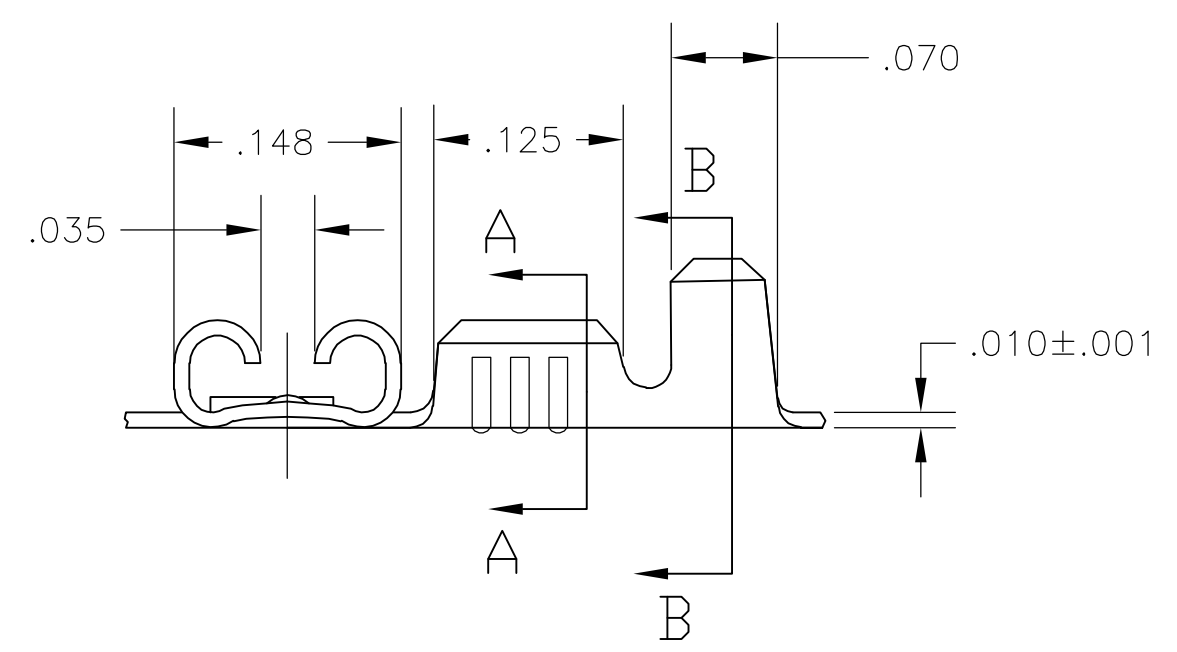
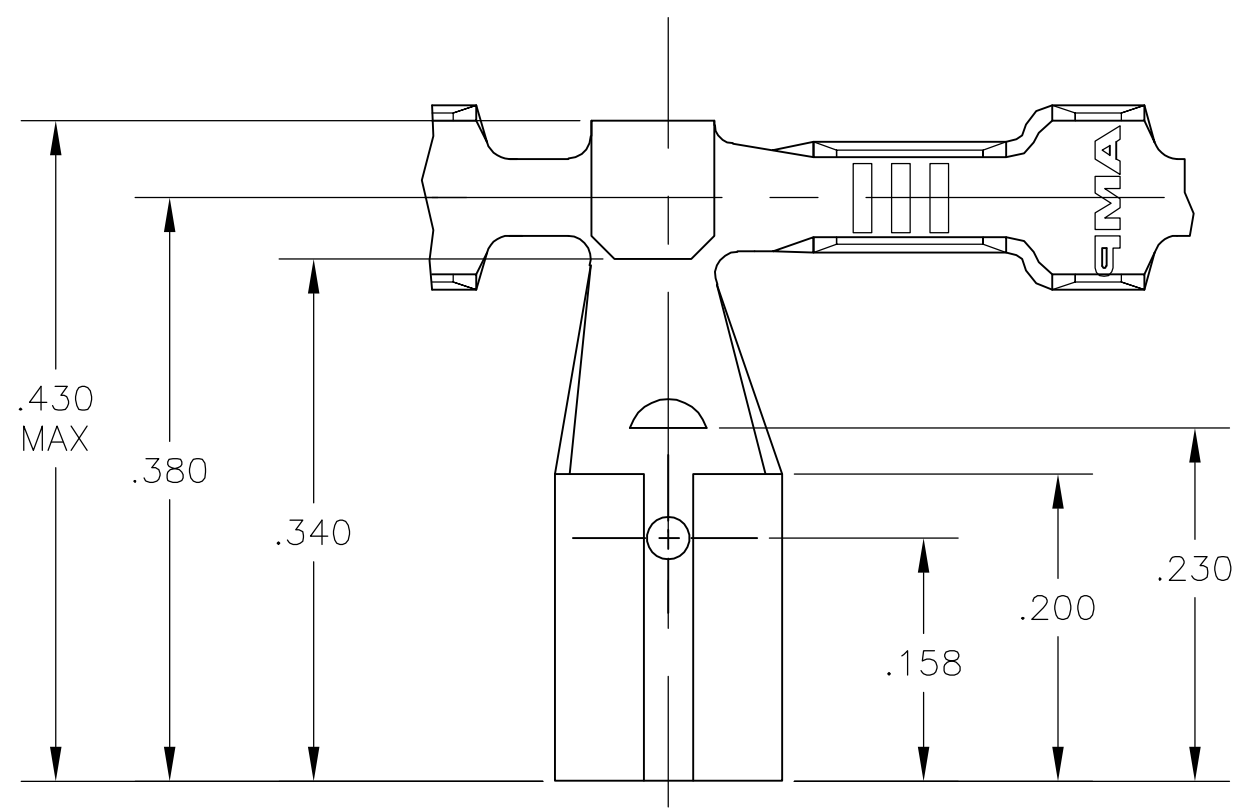


THIS DRAWING IS UNPUBLISHED. RELEASED FOR PUBLICATION
 © COPYRIGHT BY TYCO ELECTRONICS CORPORATION. ALL RIGHTS RESERVED.

LOC	DIST	REVISIONS					
		P	LTR	DESCRIPTION	DATE	DWN	APVD
AF	50		A1	REL PER ECR 05-0010314	07SEP05	JR	PD

- 1 CONTINUOUS STRIP ON REELS
- 2 WIRE SIZE IS #26-#22 AWG
- 3 INSULATION RANGE IS .040-.080 DIA
- 4 MATING TAB THK IS .020±.001



1742219-1
PART NO

THIS DRAWING IS A CONTROLLED DOCUMENT.		DWN jr_ruth 15DEC04	Tyco Electronics Corporation Harrisburg, Pa 17105-3608			
DIMENSIONS: INCHES		CHK P_DESANTIS 15DEC04				
		APVD P_DESANTIS 15DEC04	NAME RECEPTACLE, FASTON, FLAG .110 SERIES			
TOLERANCES UNLESS OTHERWISE SPECIFIED:		PRODUCT SPEC	SIZE			
0 PLC ± -	FINISH PRE-TIN	APPLICATION SPEC	CAGE CODE	DRAWING NO	RESTRICTED TO	
1 PLC ± -		—	A300779	C-1742219	—	
2 PLC ± -		MATERIAL H04 BRASS	—	SCALE	SHEET	OF
3 PLC ± .010		—	—	1:1	1	1
4 PLC ± -		—	—	CUSTOMER DRAWING	REV	A1
ANGLES ± 5'	—	—	—	—	—	